

French Patents

FILE DESCRIPTION

French Patents covers all French patent applications and granted French patents published by the Institut National de la Propriété Industrielle (INPI). All patents published in France since 1966 as well as all special pharmaceutical patents (Brevets Spéciaux Médicaments) published between 1961 and 1978 are included.

Records include bibliographic, administrative and legal status data for each patent. Abstracts and descriptors are also available since 1978. All records are in French, but English descriptors are available from 1987 forward. Several display formats provide field labels in English to make the records easier to read.

INPI provides a substantial amount of information about the legal status of a patent. This includes announcements in the *Bulletin Officiel de La Propriété Industrielle (BOPI)* as well as unpublished inscriptions in the official register. Since some of the legal status information is unique to the French Patents database, it is collected in a table containing the date of the action, BOPI issue number and a description of the status. The table can be displayed in French or in English translation.

Images of patent drawings are included in records published from 1978 forward.

SUBJECT COVERAGE

All areas of patentable technology are included.

TIPS

USE FILE 371

to monitor French patents for a particular technology or competitor.

USE LT=

to monitor legal status of a patent.

S LT=LAPSE

USE RANK

for statistical analysis of data fields such as assignee.

SELECT TOPIC; RANK CO

USE MAP

to save patent numbers for the purpose of locating English language abstracts in other files

SELECT TOPIC; MAP PN TEMP

USE FORMATS 2 AND 9

to display search results with English Labels

DIALOG FILE DATA

Inclusive Dates: All patents - 1966-2001
Medicaments - 1961-1978

Update Frequency: Closed

File Size: 1,000,000 records as of October 2004

CONTACT

The FRENCH PATENTS database is produced by the Institut National de la Propriete Industrielle. Questions about file content should be directed to:

Institut National de la Propriete Industrielle (INPI)
26 bis rue Saint Petersburg
75800 Paris Cedex 08

France

Phone: +331 53 04 45 95

Fax: +331 42 94 02 16

Millennium Information Services

Michael P. O'Hara

215 12th Street SE

Washington, DC 20003-1427

Phone: 202-543-5120

Toll Free: 1-800-949-5120

Fax: 202-544-7159

E-Mail: mohara@millenniuminfo.com

SAMPLE RECORD - PATENT

Dialog(R)File 371:French Patents 1961-1998/BOPI 9844
(c) 1998 INPI. All rts. reserv.

000011459 **Image available**

Title: DETENDEUR POUR REFROIDISSEUR CONCENTRIQUE A TUBE A PULSION, CE
REFROIDISSEUR ET SYSTEME DE REFROIDISSEMENT L'UTILISANT

Patent Applicant/Assignee: HUGHES ELECTRONICS

Applicant Address: HUGHES ELECTRONICS - Deposant - 7200 HUGHES TERRACE
LOS ANGELES CALIFORNIE 90045 USA (US)

Inventor(s): RATTRAY ALAN A - 10811 MODOC STREET ALTA LOMA CALIFORNIE
91701 USA (US); SOLOSKI STEVEN C - 8 WESTPORT MANHATTAN BEACH
CALIFORNIE 90266 USA (US); MASTRUP FRITHJOF N - 28631 SHIRE OAKS
DRIVE RANCHO PALOS VERDES CALIFORNIE 90275 USA (US)

Legal Representative: RINUY SANTARELLI

Document Type: Patent / Brevet

Patent and Priority Information (Country, Number, Date):

Patent: FR 2743871 - 19970725

Application: FR 97667 - 19970123

Priority Application: US 96590668 - 19960124

Preliminary Search Report (Patent or Reference, Relevance Category):

Rapport de Recherche Preliminaire

GB 1202203 A (Cat. Y)

US 4478042 A (Cat. Y)

EP 717245 A (Cat. D,P,A)

EP 614059 A (Cat. A)

US 5303555 A (Cat. A)

Abstract:

L'invention concerne un detendeur pour un refroidisseur concentrique a tube a pulsion. Le detendeur (10') comporte un tube central (18) a pulsion, un tube concentrique d'isolation a l'interieur duquel est delimittee une chambre concentrique (19') occupee par un isolant qui est atmospherique, et un regenerateur entourant le tube concentrique d'isolation. Ce dernier presente un event permettant a la chambre (19') de communiquer avec l'atmosphere environnante. Lors d'une utilisation dans l'espace, la chambre est occupee par le vide qui constitue ainsi l'isolant et assure une isolation efficace aux temperatures cryogeniques. Domaine d'application: dispositifs et systemes de refroidissement cryogenique pour des applications a l'aeronautique, aux engins spatiaux, etc.

International Patent Class (Main): F25B-023/00

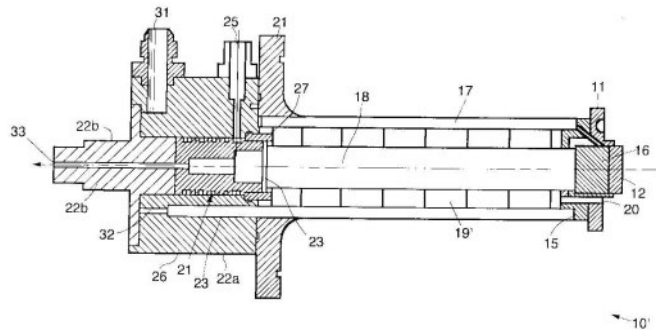
French Descriptors: REFROIDISSEMENT; DETENDEUR; ISOLANT; TUBE DE PULSION; CRYOGENIE; AERONAUTIQUE

English Descriptors: COOLING; EXPANDER; INSULANT; PULSE TUBE; CRYOGENICS; AERONAUTICS

Legal Status (Type, Action Date, BOPI No, Description):

Publication 19970725 9730 Date published

Search Report 19980213 9807 Date Search Report published



/TI
/CO, CO=, PA=
GL=
CN=
AU=
GL=, CN=
DT=
PC=, PN=, PD=, PY=
AC=, AN=, AD=, AY=
AC=, AN=, AD=, PR=

CT=, RI=

/AB

IC=

/DE

/DE

LT=, LD=, BN=, /LS, LS=

SAMPLE RECORD - PATENT WITH SUPPLEMENTARY CERTIFICATE OF PROTECTION

DIALOG(R)File 371:French Patents 1961-1998/BOPI 9844
(c)1998 INPI. All rts. reserv.

000009605

/TI Title: Procédé de préparation d'un copolymère de deux acides alpha-amines et copolymère ainsi obtenu

/CO, CO=, PA= Patent Applicant/Assignee: DELALANDE SA

GL=, CN= Applicant Address: DELALANDE SA (FR-92)

AU= Inventor(s): Andre Brack

LR= Legal Representative: CABINET MALEMONT

DT= Document Type: Patent / Brevet

Patent and Priority Information (Country, Number, Date):

Patent: FR 2625507 - 19890707

Application: FR 8864 - 19880106

PC=, PN=, PD=, PY=
AC=, AN=, AD=, AY=

Preliminary Search Report (Patent or Reference, Relevance Category):

Rapport de Recherche

RF= CHEMICAL ABSTRACTS, vol. 63, no. 1, 1965, colonne 705f-g, Columbus, Ohio, US; & JP-A-20 527 ('64) (RYOICHI WAKASA et al.) 18-04-1962 (Cat. A)

DIE ANGEWANDTE MAKROMOLEKULARE CHEMIE, vol. 40/41, no. 580, 1974, pages 493-506; G.EBERT et al.: "Fasern und Folien aus Poly-alpha-Aminosäuren" (Cat. A)

MAKROMOLEKULARE CHEMIE, vol. 179, no. 12, decembre 1978, pages 2829-2835; A.BRACK et al.: "Polycondensation d'acides alpha-amines par des systemes iode-phosphites en presence de pyridine ou d'imidazole" (Cat. A)

DT= Supplementary Certificate of Protection (CCP):

/CO, CO=, PA= Certificate Owner (CCP): DELALANDE S.A.

Market Authorization Certificate (AMM):

NL17293 19920308

/LS, LS=, LD=

Drug Name(s): INERPAN 2,5 G / 1500 CM2

DN=, /NA, NA=

CCP Application: FR 92C0425 19920612 (CCP Francais)

CP=, LD=

Abstract:

/AB L'invention a pour objet un procede de synthese d'un copolymere de deux acides alpha-amines, qui comprend la preparation d'un melange du N-carboxyanhydride d'un premier acide alpha-amine et du N-carboxyanhydride d'un second acide alpha-amine, suivie de la copolymerisation de ce melange, caracterise en ce que ledit melange est obtenu par action du phosgene sur un melange d'un premier et d'un second acides alpha-amines ayant des vitesses de reaction voisines avec le phosgene. Elle a egalement pour objet le copolymere obtenu par mise en oeuvre de ce procede et un agent pour le revetement de plaies cutanees comprenant ce copolymere.

IC= International Patent Class (Main): C08G-069/10

IC= International Patent Class: C08J-005/18; A61L-015/06

/DE French Descriptors: COPOLYMERE; COPOLYAMIDE; ACIDE ALPHAAMINE; PHOSGENE; NCARBOXYANHYDRIDE; LEUCINE; ACIDE GLUTAMIQUE; FILM; POUVRE; GEL; REVETEMENT DE PLAIE

/DE English Descriptors: COPOLYMER; COPOLYAMIDE; ALPHAAMINOACID; PHOSGENE; NCARBOXYANHYDRIDE; LEUCINE; GLUTAMICACID; FILM; POWDER; GEL; WOUND COATING

Legal Status (Type, Action Date, BOPI No, Description):

LT=, LD=, BN=, /LS, LS=

Publication	19890707	8927	Date published
Search Report	19890707	8927	Date Search Report published
Grant	19900622	9025	Date granted
CCP Pub	19920925	9239	Date CCP published
CCP Grant	19921231		Date CCP granted
Register CP	19930203		Application for a supplementary certificate of protection N39689
Register TP	19931011		Transfer of ownership N43648

SAMPLE RECORD WITH FRENCH LABELS (shown for BSM)

Dialog(R)File 371:French Patents 1961-1998/BOPI 9844
(c)1998 INPI. All rts. reserv.

000001201

/TI Titre: Chlorothioxanthenes substitues.
/CO, CO=, PA= Deposant: CHAS. PFIZER & CO. INC.
LR= Nom Mandataire: Plasseraud, Devant, Gutmann, Jacquelin, Lemoine
DT= Nature de la Publication: Brevet Special Medicament (BSM)
Information de Brevet et Priorites (Pays, Numero, Date):
PC=, PN=, PD=, PY= Numero Publication: FR 3840 M - 19660117
AC=, AN=, AD=, AY= Numero Depot: FR 3840 - 19640115
AC=, AN=, AD=, AY=, PR= Priorites: US 63251499 - 19630115
PR= E .U .A .: 630115, no 251499, au nom de J . M . Grisar

Rapport de Recherche Preliminaire (Brevet ou Reference, Categorie Pertinent):
Rapport de Recherche
RF= atteinte a la nouveaute : neant . etat de la technique : - Brevet
français (B.S.M.) no 505 M.

IC= Classification Internationale (Principale): A61K
IC= Classification Internationale: C07D

Forme Juridique (Type, Date de Action, BOPI Num, Description):
LT=, LD=, /LS, LS= Publication 19660117 Date de publication
Delivrance 19660117 Date de delivrance
Domaine Pub Domaine public

SEARCH OPTIONS

BASIC INDEX

SEARCH SUFFIX	DISPLAY CODE	FIELD NAME	INDEXING	SELECT EXAMPLES
—	—	All Basic Index Fields	Segment & Word	S AMINO S TEMPERATURE?(N)CRYOGEN?
/AB	AB	Abstract ^{1,2}	Segment & Word	S CEPHALO/AB S CHAMBRE(W)CONCENTRI?/AB
/CO	CO	Company (Assignee/Applicant) ³	Word	S HUGHES(W)ELECTRONICS/CO
/DE	DE	Descriptors (English and French) ^{2,4}	Segment & Word & Phrase	S ANHYDRIDE/DE S PULSE(W)TUBE/DE S ACIDE GLUTAM?/DE
—	DF	Descriptor (French) ²		
—	DG	Descriptor (English) ²		
/LS	LS	Legal Status Text ⁵	Word	S DATE(W)PUBLISHED/LS
/NA	NA	Drug Name ^{2,6}	Segment & Word	S INERPAN/NA S LEVURE(W)SACHAROMYRES/NA
/TI	TI	Title ²	Segment & Word	S THIO/TI S CHLORO(3N)SUBSTITU?/TI

¹ Abstract available from 1978 forward.

² All chemical names are indexed as complete individual words and chemically significant word segments. Words such as CHLOROBENZENE can be retrieved by either segment, e.g., S CHLORO or S BENZENE. Any term in the Basic Index can be restricted to a full word using the /FW suffix, e.g., S BENZENE/FW. Locants, such as 2,3, indicate the position of a chemical group within the structure and are searched as words, e.g., S 2(W)3.

³ Patent assignee/applicant names are searchable in the Basic Index with /CO and in the Additional Indexes as PA= and CO=.

⁴ French descriptors available from 1978 forward. English descriptors available from 1987.

⁵ Legal status describes publication levels and INPI Register inscriptions of a French patent. Legal Status can be searched in either French or English using /LS in the Basic Index or LS= in the Additional Indexes. Legal Status Type LT= contains a short label for the different types of legal status.

⁶ Drug names for which a Supplementary Certificate of Protection (Certificat complémentaire de protection) has been filed can be searched in the Basic Index using /NA or in the Additional indexes using NA= or DN=. The field may also contain information on dosage, dilution, etc. pertaining to the drug.

ADDITIONAL INDEXES

SEARCH PREFIX	DISPLAY CODE	FIELD NAME	INDEXING	SELECT EXAMPLES
AC=	AC	Application Country	Phrase	S AC=FR
AC=	PR	Priority Application Country	Phrase	S AC=US/PR
AD=	AD	Application Date	Phrase	S AD=19970123
AD=	PR	Priority Application Date ⁷	Phrase	S AD=19960124/PR
AM=	AD	Application Month	Phrase	S AM=199701
AM=	PR	Priority Application Month	Phrase	S AM=199601/PR
AN=	AN	Application Number ⁸	Phrase	S AN=FR 97667 S AN=FR9700667
AN=	PR	Priority Application Number ^{7,8,9}	Phrase	S AN=US 96590668/PR S AN=US 590668-1996/PR S AN=US 590668/PR
AN=	RE	Related Application Number ^{8,10}	Phrase	S AN=FR 9515032/RE S AN=PRIN/RE
AU=	AU	Author/Inventor ¹¹	Word & Phrase	S AU=(CHAVETTE(1N)RAYMOND) S AU=RAYMOND CHAVETTE
AV=	—	Field Availability	Phrase	S AV=AMM
AY=	AY	Application Year	Phrase	S AY=1997
AY=	PR	Priority Application Year	Phrase	S AY=1996/PR
—	AZ	DIALOG Accession Number		
BN=	BN	BOPI Number ¹²	Phrase	S BN=9730
CK=	CK	SIREN Company Number ¹³	Phrase	S CK=642014526
CN=	CN	Assignee/Inventor Country ¹⁴	Phrase	S CN=FR-75 S CN=US/AU S CN=FR/PA
CO=	CO	Company (Assignee/Applicant) ³	Phrase	S CO=HUGHES ELECTRONICS?
CP=	CP	Supplementary Certificate of Protection (CCP)	Phrase	S CP=FR 92C0052
CT=	CT	Cited Patents ¹⁵	Phrase	S CT=GB 1202203
DT=	DT	Document Type ¹⁶	Phrase	S DT=BREVET S DT=PATENT
GL=	GL	Assignee/Inventor Address ¹⁴	Word	S GL=CALIF? S GL=(LOS(W)ANGELES)
IC=	IC	International Patent Class	Phrase	S IC=F25B-023/00 S IC=F25B-023 S IC=F25B
IC=	IC	International Patent Class (Main)	Phrase	S IC=C08G-069?00/MA S IC=C08G-069/MA S IC=C08G/MA

ADDITIONAL INDEXES (cont'd)

SEARCH PREFIX	DISPLAY CODE	FIELD NAME	INDEXING	SELECT EXAMPLES
—	IM	Image		
LA=	—	Language	Phrase	S LA=FRENCH
LD=	LD	Legal Status Date	Phrase	S LD=19930203
LI=	LI	Licensee	Word	S LI=(ETAT (W)FRANCAIS)
LR=	LR	Legal Representative	Word & Phrase	S LR=(RINUUY(W)SANTARELLI) S LR=RINUUY SANTARELLI
LS=	LS	Legal Status ⁵	Phrase	S LS=DATE GRANTED S LS=DATE DE LA DELIVRANCE?
LT=	LT	Legal Status Type ⁵	Phrase	S LT=GRANT
LY=	LY	Legal Status Year	Phrase	S LY=1993
NA=	NA	Drug Name ^{2,6}	Phrase	S NA=GLUCOHELPTONATE DE CALCIUM
PA=	PA	Patent Applicant/Assignee ³	Word & Phrase	S PA=(HUGHES(W)ELECTRONICS) S PA=HUGHES ELECTRONICS?
PC=	PC	Patent Country	Phrase	S PC=FR
PD=	PD	Publication Date	Phrase	S PD=19970725
—	PI	Patent Information ¹⁷		
PM=	PD	Patent Month	Phrase	S PM=199707
PN=	PN	Patent Number	Phrase	S PN=FR 2743871 S PN=FR2743871
PR=	PR	Priority Data ⁷	Phrase	S PR=US 96590668 S PR=19960124
PY=	PY	Publication Year	Phrase	S PY=1984
RF=	RF	Cited Literature References ¹⁵	Word	S RF=(MAKROMOLEKULARE(W)CHEMIE)
RI=	RI	Relevance Category ¹⁹	Word	S RI=X
—	RR	Rapport de Recherche ¹⁵		
RT=	—	Record Type	Phrase	S RT=IMAGE
—	SR	Search Report ¹⁵		
UB=	UB	Update - Basic Patent	Phrase	S UB=9999
UC=	UC	Update - Changes and Additions	Phrase	S UC=9999
UD=	UD	Update	Phrase	S UD=9999
UI=	UI	Update - Image	Phrase	S UI=9999

⁷ Use the qualifier /PR to restrict a search to priority application data. Priority application numbers and dates can also be searched in the Priority Application field PR=.

⁸ French application numbers can be searched using the Dialog standard format, e.g., FR 97667 or using the fixed-length INPI format, e.g., FR9700667. The Dialog format is used for display.

⁹ U.S. priority application numbers may be searched in several ways: with two leading year digits, e.g., S AN=US 96590668 (display format), with four trailing year digits, e.g., S AN=US 590668-1996, or the application number without any accompanying year digits, e.g. S AN=US 590668.

¹⁰ Related application numbers refer to the principal or original French application number when an application has been divided or an additional application has been created.

¹¹ INPI does not require the inclusion of inventor names, so the names are not in standard form. Names frequently appear in direct order with the surname last. For the most comprehensive retrieval use the (n) operator, e.g. S AU=(RAYMOND(1N)CHAVETTE)

¹² BOPI is the Bulletin Officiel de la Propriete Industrielle, the official announcement publication of INPI.

¹³ SIREN Numbers are company registration numbers assigned by the French National Institute of Statistics (INSEE). This number is included only when provided by the applicant.

¹⁴ Address information for patent applicants and inventors is available from 1991 forward. Country codes, including French postal codes are searched in CN=. Address information as provided by the applicant or inventor can be word-searched in GL=.

¹⁵ The search report for French patents may include cited patents (CT=) or cited literature references (RF=). Use SR or RR to display both cited patents and literature references.

¹⁶ Document type indicates the "nature" of the patent. Under French law, a brevet/patent can be downgraded into a utility certificate (having a six year term) after initial publication. In such cases, the date of the conversion is listed together with the document type. The associated date is searched using PD=.

¹⁷ Patent information consists of patent number and date, application number and date and priority data.

¹⁸ Medicaments (BSM) were incorporated into the French Patent System in 1968.

¹⁹ Relevance categories, also known as relevance indicators, describe the relationship of the cited patent to the patent document based on rules developed at the European Patent Office. The following category codes may be assigned: A - Technological background; D - Document cited in an application; E - Earlier patent document; L - Document cited for other reasons; O - Non-written disclosure; P - Intermediate document; T - Theory or principle; X - Relevant if taken alone; Y - Relevant if combined with other documents.

French Patents

File 371

SPECIAL FEATURES

For command descriptions, enter HELP LIMIT, HELP SORT, HELP RANK, HELP MAP, HELP IDPAT online.

LIMIT	/ABS -- Abstract Present /CCP -- Supplementary Certificate of Protection /YYYY -- Publication Year	S S1/ABS S S2/CCP S S1/1995:1998
SORT	IC, PA, PD, PN, TI	SORT S6/ALL/TI
RANK	All phrase- and numeric-indexed fields in the Additional Indexes can be ranked. Additional RANK codes include: ANPR (Priority Application Number), DE (Descriptor), DF French Descriptors only), DG (English Descriptors only), ICMA (Main International Patent Class).	RANK PA
MAP	AN, ANPR, ANPRYY, ANRE, ANYY, CO, CT, CTPN, IC, ICMA, PA, PN, PNCT	MAP PN TEMP S2
IDPAT	Identify patent duplicates and display all or selected patent groups.	IDPAT IDPAT S1 SHORT

PREDEFINED FORMAT OPTIONS

NO.	DIALOGWEB FORMAT	RECORD CONTENT
1	--	DIALOG Accession Number
2	Medium	Bibliographic Citation, Abstract, Patent and Application Data, and Indexing (Labels in English) ^{1,4,8}
3	--	Bibliographic Citation, Patent and Application Data, and Legal Status ⁸
4	--	Full Record with Tagged Fields ^{1,4,8}
5	--	Bibliographic Citation, Abstract, Patent and Application Data, and Indexing (Labels in French) ^{1,4,8}
6	Short	Title and Publication Date
7	--	Full Record (Legal Status and Labels in French) ^{1,4,8}
8	Free	Title and Indexing ⁴
9	Long	Full Record (Legal Status and Labels in English) ^{1,4,8}
17	--	Full Record plus Image (Legal Status and Labels in French) ^{1,4,8,19}
19	Full	Full Record plus Image (Legal Status and Labels in English) ^{1,4,8,19}
69	--	Image only ¹⁹
K	--	KWIC (Key Word In Context) displays a window of text; may be used alone or with other formats

OTHER OUTPUT OPTIONS

For an explanation, enter HELP TYPE, HELP UDF, HELP TAG online.

USER DEFINED FORMATS	Display codes listed in the Search Options tables can be used to customize output.	TYPE S4/TI,PN/1-5 PRINT S1/TI,PA,PN/ALL
TAG	Output can be displayed with TAGs identifying each display field.	TYPE S1/5/ALL TAG
DIRECT RECORD ACCESS	If the accession number of a specific record is known, it can be used to display the record directly.	PRINT 123457/9 TYPE 1234570/TI,PN

FOR ONLINE HELP:

See HELP FIELDS 371 for searchable fields; HELP FORMAT 371 for output formats; HELP LIMIT 371 for limits; HELP RATES 371 for cost information; HELP SORT 371 for sorts.